

Mi Series Megapixel IP Camera



Driving IP-based physical security
through global standardization

VDA110SMi Vandal Proof Armor Dome

H.264 / M-JPEG Dual Mode, 1.3 Megapixel Sony CMOS Sensor, Day/Night, 2 Way Audio, Standard PoE, Night Vision with IR LED's, IPv4 & IPv6 Compatible

Model: VDA110SMi / VDA110SMi-IR (Night Vision)



The Vision Mi Series IP Camera is designed for any networked surveillance application. Megapixel Resolution combined with state-of-the-art features sets it apart from other network cameras on the market today.

The VDA110SMi provides high definition 720p IP video for the most critical video surveillance applications.

Features

- 1.3 Megapixel 1/3" SONY progressive scan CMOS image sensor for excellent image quality
- Vandal Proof, fire resistant and tamper resistant
- Perfect tool-free 3-Axis mechanism inside for visual alignment
- Patented intelligent IR technology (VDA110SMi-IR)
- Extended IR life cycle (VDA110SMi-IR)
- Dust and Moisture free (IP66 Waterproof)
- Dual Streaming of H.264 and M-JPEG
- Up to 30 frames per second in all image resolutions
- Supports image resolutions up to HD(720p) (1280x720)
- IPv4 & IPv6 compatible
- Integrated motion detection with pre- and post-alarm image/video buffering



Product info support@visionhitech.co.kr
Marketing vht@visionhitech.co.kr

- Event-triggered FTP and email upload of still images and videos
- Full Duplex Two-Way Audio Support
- Digital PTZ
- UPnP supported
- Micro-SD Local storage, event triggered, scheduled and continuous recording supported
- 1 Port analog video loop-out port
- External microphone input & speaker output connector
- Terminal block for external sensors or external alarm devices
- Supports CBR (constant bit rate) and VBR (variable bit rate) modes
- Controllable frame rate
- Video access through any standard Web browser
- Privacy Masking up to 4 areas
- Supports IEEE 802.3af Power over Ethernet injectors, mid- and end-spans
- Integrated HTTP Web server supporting 50 simultaneous user connections
- HTTPS supported (Hyper Text Transfer Protocol Secured)
- Integrated E-Mail, FTP, DDNS and DHCP client
- Extensive CGI API for software integration and remote programming operations
- Including Windows based IP Installer and NVR(Network Video Recorder) software for up to 16 channels

Specifications

Classification		Specification	
		VDA110SMi	VDA110SMi-IR
General	CPU	32-bit ARM9 RISC CPU up to 533MHz, 32KB I/D-Cache, MMU	
	Video Buffer	16Mbyte Video Frame Buffer	
	Flash	16 Mbyte Flash Memory	
	SDRAM	256Mbyte	
Image Pickup	Image sensor	1.3 Megapixel 1/3" SONY progressive scan CMOS image sensor	
	Total Pixels	1384(H) x 1076(V) 1.49 Megapixel	
	Effective Pixels	1329(H) x 1049(V) 1.39 Megapixel	
	S/N Ratio	More than 50dB	
	Min. Illumination & IR Distance	0.5 Lux with DSSX2 (F1.2, 30IRE, AGC On)	0Lux (IR On) 30M (21 Built-in IR LED's)
	Day & Night	ICR	
	Lens Control	DC Iris	
	Lens	3.5~16mm Vari-focal Megapixel Lens	
Video	Video compression	H.264 baseline profile, Motion JPEG	

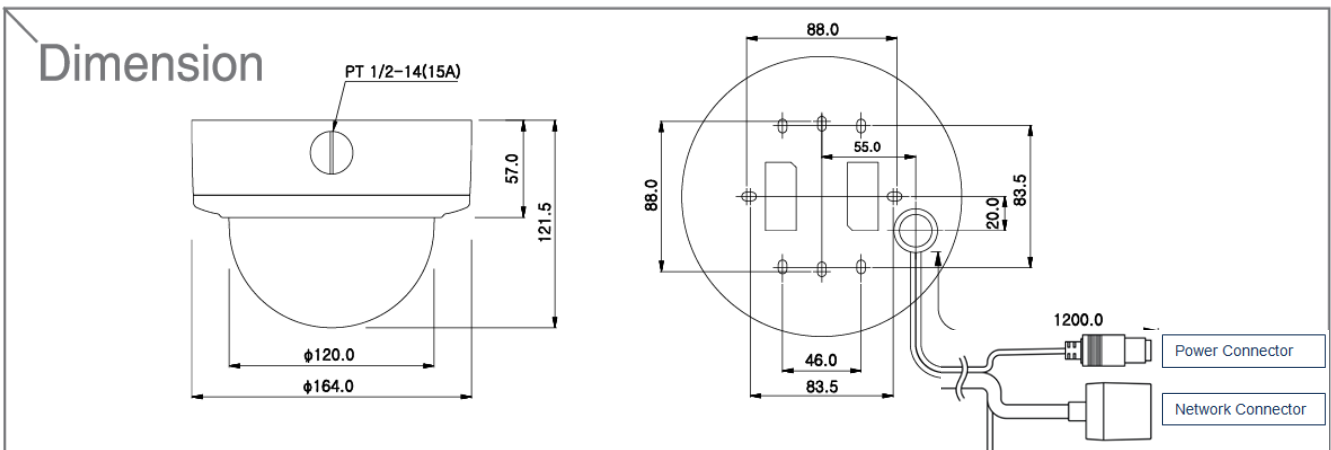


	Resolutions	Up to 1280 x 720
	Frame rate	H.264 Up to 30fps with 1280x720
		MJPEG Up to 15fps with VGA resolution (Simultaneous dual stream)
	Video streaming	Support multi stream with H.264, MJPEG
		Adjustable frame rate
		VBR/CBR in H.264
	Pan/Tilt/Zoom	Digital PTZ
	Image setting	Day & Night
		Auto White Balance
		Auto Exposure
Privacy Mask		
	Effect - Color, Sharpness, Mirror/V-Flip, etc.	
Output	BNC x1, 1.0Vp-p, 75 ohm Composite Video, NTSC/PAL	
Audio (Option)	Audio streaming	Two-way, full duplex
	Audio compression	G.711
	Sample Rate	8KHZ
	Data Rate	64Kbps
	Audio input	Microphone input /1 x Line-In (Mono)
	Audio output	Line output/ 1 x Line-Out (Mono)
Network	Security	Password protection
		User access log
		HTTPS encryption
	Supported protocol	HTTP, HTTPS, FTP, SMTP, UPnP, DNS, DynDNS, NTP
		RTSP, RTP, TCP, UDP, ICMP, DHCP
System integration	Intelligent video	Motion detection up to 1280x720 with 32x24 blocks
	Alarm trigger	Motion detection
		External input/Normal Open/Close Type
	Alarm events	File upload via ftp, e-mail
		Notification via email, FTP and TCP
		External output activation/Normal Open/Close Type
	Video buffer	16MB pre-alarm and post-alarm
	Recording	Save to Micro-SD card with event mode and continuous mode
	Firmware upgrade	Remote upgrade via network
	API	CGI Interface document
ActiveX Interface(ocx(dll) + document)		
etc	RESET Button	1 x Factory Reset Button

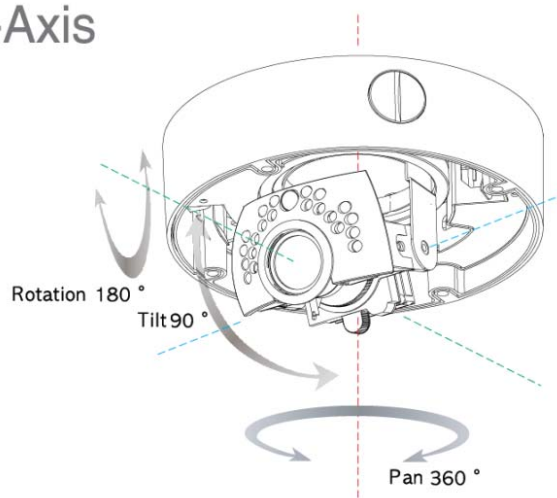
Physical	Power Source	DC 12V/1.5A, PoE(Power over Ethernet): 802.3af	
	Power Consumption	Max. 5.5W	Max. 7.2W with IR On
	Net Weight	2000g Appr.(Camera Only)	
	LED's	Power, Network Connection	
	Dimension	164(Ø) x121.5(H)	
Environment	Operating Temperature	-25 degree~50 degree Celsius(-13F~122F)	
	Storage Temperature	-25 degree~60 degree Celsius(-13F~140F)	
Software	Included Software	NVR Lite (16 Channel), IP Installer (Windows only)	
Package	Package Contents	Network Camera, Use Manual, External Power Adaptor, Software CD	

■ Specifications are subject to change without prior notice to enhance performance and stability

Dimension



Perfect 3-Axis

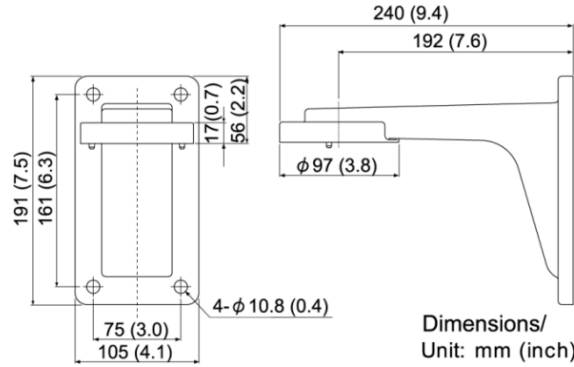


VISION

Product info support@visionhitech.co.kr
Marketing vht@visionhitech.co.kr

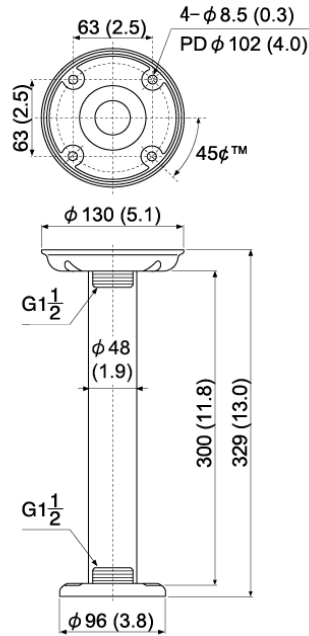
Accessories

Wall Mount Bracket



Dimensions/
Unit: mm (inch)

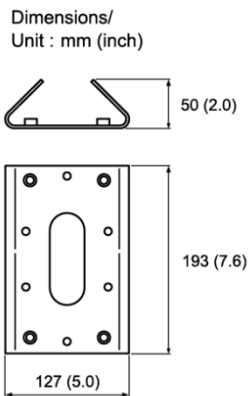
Ceiling Pendant Bracket



Outdoor Housing



Pole Mount Bracket



Corner Mount Bracket

